



INSTALLATION & OPERATING INSTRUCTIONS

The **Stratford Multifuel**

Sf & Si Stoves



Stratford Sf 50 Convectector

PLEASE RETAIN THESE INSTRUCTIONS FOR FUTURE REFERENCE

BK009

REV 01
January 09

Congratulations on your choice of a Stratford Stove.

More than 20 years experience has been put into the development of our Stratford stove to ensure ultimate performance and years of trouble free enjoyment.

Every detail on the fire has been carefully engineered and designed which is why we are so confident in the reliability of our product.

*Should you have any questions about our Stratford Stoves that are not covered in this manual, please contact the dealer in your area, or call our Technical support department on
0844 847 5107*

Flaming Good Fires!

© COPYRIGHT January 2009
Arada Ltd

This booklet has copyright & may not be copied in whole or part or be used for any purpose other than that for which it is supplied without express written consent from Arada Ltd.

The Stratford Sf & Si

Installation and Operating Instructions

Contents

Operating Instructions

1	Introduction - The Principle of the Fire	5
2	Checklist	6
	<i>A - Stratford Sf</i>	
	<i>B - Stratford Si</i>	
3	Fire Bed	7
4	Firebrick Lining for Sf only	8
5	Throat Inspection	9
6	The Air System	10
	<i>A - Interlock</i>	
	<i>B - Multi-Purpose Operating Tool</i>	
7	Glass/Trim	12
8	Door Adjustments	13
9	Spare Parts List	14
	<i>A - Stratford Sf</i>	
	<i>B - Stratford Si</i>	
10	Accessories	16
11	Fuels	17
12	Lighting the Fire	18
13	Overnight burning	19
14	Ash removal	20
15	Cleaning	21
16	Safety	22

Installation Instructions

17	General	23
18	Handling	23
19	Hearth	23
20	Combustible Materials	23
21	Air For Combustion	24
22	Builders Opening/Chimney Breast	24
23	Chimney	24
24	Installing the Fire	25
	<i>A - Stratford Sf</i>	
	<i>B - Stratford Si</i>	
25	Flues & Chimneys	27
26	Water Connections	30
27	Final Check	31
28	Guarantee	32
29	Customer Registration	32
30	Service Record	33

WARNING

To All Solid Fuel Users

PETROLEUM COKE

SOME OF WHOSE BRAND NAMES ARE

"CALCO", "PETROCOKE" OR "WONDERCO"

MUST **NOT** BE BURNED IN THIS APPLIANCE

TO USE THIS FUEL WILL INVALIDATE THE APPLIANCE
WARRANTY

**IF IN DOUBT CONTACT THE SOLID FUEL ASSOCIATION
TELEPHONE FREEPHONE 0845 601 4406**

**THE USE OF SPARE PARTS OTHER THAN THOSE
SUPPLIED BY ARADA LTD WILL INVALIDATE THE
APPLIANCE GUARANTEE.**

Operating Instructions For The Stratford Multifuel Sf & Si.

1. INTRODUCTION - THE PRINCIPLE OF THE FIRE

Your **Stratford Stove** is built to the highest standard of craftsmanship using the best materials and the most modern equipment available. It is a highly efficient and sophisticated piece of machinery and when properly installed and operated it should provide a lifetime of heating satisfaction.

Safety is the most important consideration when installing your fire. If not properly installed and operated a house fire may result. You should check your local Building Regulations and conform to all relevant fire safety standards.

Arada produce a variety of appliances that range from the traditional in appearance to the ultra modern, all bristling with "High tech" features.

Model types include simple room heaters, convectors, integral boiler models and inset units. Your **Arada** fire is constructed from twin wall steel strengthened where necessary. Cast iron is used where appropriate for long life.

All fire doors are fitted with special high temperature ceramic glass panels through which the fire can be viewed.

All units are fitted with a cast iron grate to give full multifuel facility and positive de-ashing.

All models except integral boiler models and insets are lined with heat reflective panels which ensure complete combustion and provide a good heat store to even out fluctuations in burning.

An internal throat plate produces turbulence to encourage secondary combustion and directs the flue gas around the whole upper firebox before allowing it to escape to the chimney.

The primary air for burning enters the ash pit chamber beneath the grate, controlled by the air inlet mechanism or by the thermostatically controlled damper where fitted.

The provision of two inlets gives a wide range of primary air/secondary air, under draught/over draught combinations. The optimum settings will only be established by experience in the firing the appliance, and will depend on type of fuel, the position of the appliance in the house, condition of chimney etc.

Arada fires are also fitted with an "air wash" so called because it provides a curtain of high speed preheated air in front of the glass to help keep it clean and to provide secondary air/over draught.

Solid Fuel.

To burn solid fuel efficiently the main source of combustion air should be under draught entering the ash pit chamber. The air wash can be opened a little to allow sufficient air to keep the glass clean and provide secondary air for afterburn.

Wood

Wood burns very efficiently on a bed of its own ash and an over draught. It will also burn successfully with an under draught, and on appliances fitted with a thermostat this should be the main source of combustion air in order for the thermostatic control to be effective.

Mixed Solid Fuel and Wood

When burning mixed fuels the grate should be set to the coal burning position with combustion air entering equally from above the fire through the air wash, and below through the ash pit door.

Diagrams and notes on the features of the different types of fires are set out in the sections following this one.

2. CHECK LIST

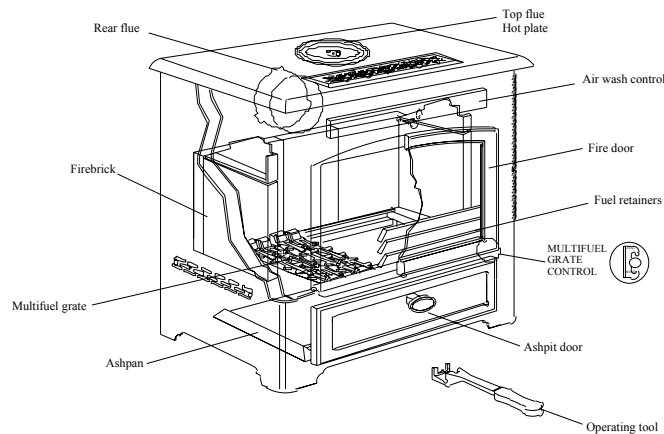
Inside the appliance you should find the following.

	Stratford Sf 30		Stratford Sf 50		Stratford Sf 70		Stratford Sf 90		Stratford Si 40		Stratford Si 60	
	Conv.	Boil.	Conv.	Boil.	Conv.	Boil.	Conv.	Boil.	Conv.	Boil.	Conv.	Boil.
Grate Bars	7	7	9	9	11	11	11	11	7	7	11	11
Fire Bed Surround		7		7		9		11		3		4
Refractory Lining 230x197	4		4		3		5					
Refractory lining 230x138					4		2					
Refractory lining 230x115			1									
Rear Brick Locking Channel					1		1					
Fuel Retainers	3	3	3	3	3	3	3	3	3	3	3	3
Throat Plate	1	1	1	1	1	1	1	1	1	1	1	1
Flue Spigot	1(5")	1(5")	1(5")	1(5")	1(6")	1(6")	1(6")	1(6")				
Hot Plate	1(5")	1(5")	1(5")	1(5")	1(6")	1(6")	1(6")	1(6")				
Ash Pan	1	1	1	1	1	1	1	1	1	1	1	1
Operating Tool	1	1	1	1	1	1	1	1	1	1	1	1
Thermostat*		1		1		1		1	1*	1*	1*	1*
Instructions	1	1	1	1	1	1	1	1	1	1	1	1

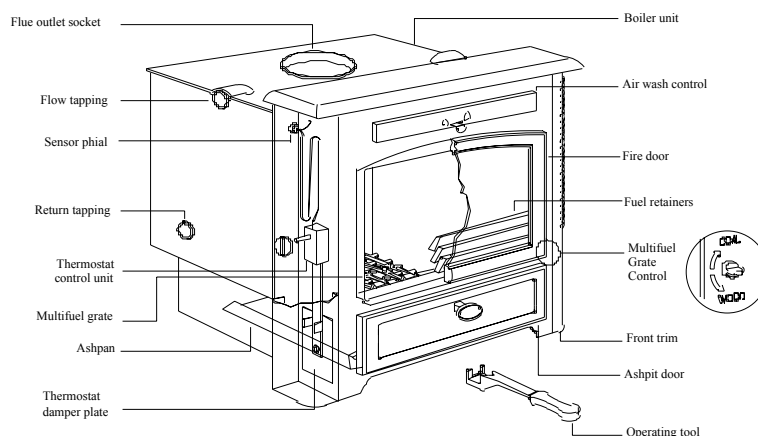
* Only the knob, the thermostat is already fitted to the stove

The model and Serial No. of your fire can be found stamped into the casing, centrally just below the bottom edge of the fire door aperture.

A - Stratford Freestanding - Sf



B - Stratford Inset - Si



3. FIRE BED

Grate

The grates in the Stratford Sf & Si Multifuel units comprise a series of reciprocating cast iron bars seated on a pivoted "comb". All bars in the grate are identical, but every other bar is turned through 180 degrees, with the ends of the bars marked "H" sitting on the high sections of the comb, and the ends marked "L" sitting on the low sections.

Assembling the Grate (Fig.1)

To assemble the grate, fit bars to low sections of the comb first, inserting end marked "H" into rear channel with groove on underside of bar located on upstand tab, and then lowering end marked "L" onto the low section of the comb. The upper bar is fitted in a similar manner, but with the end marked "L" inserted in the rear channel, and the end marked "H" seated on the high section of the comb.

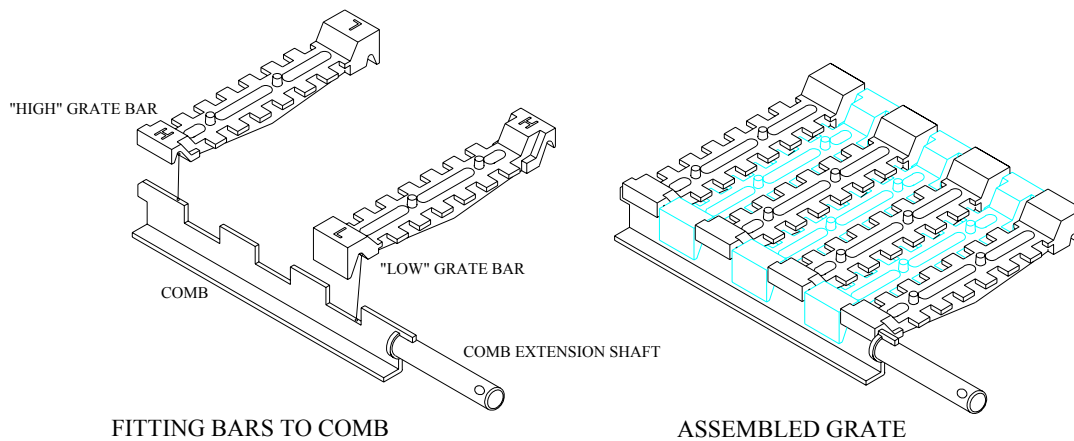


Figure 1

Grate bar Replacement

After extended use it may be necessary to replace some of the grate bars. Periodic inspection of the bars is recommended and the removal of any nails or wire that may be present after burning wood. All the grate bars in each appliance are identical and can easily be lifted out after removal of the fuel retainers.

Remove damaged grate bars and replace with casting of the same type, fitting as per instruction above. (Check Identification letters on the casting when reordering).

Riddle Lever for Sf only (Fig 2a)

The riddle lever gives effective de-ashing, and also allows the grate to be set in the coal burning or wood burning position, as indicated on the right hand side of the appliance.

For Si use the operating tool provided. Rotating the end shaft of the comb with the operating tool gives effective de-ashing, and also allows the grate to be set in the coal or wood burning position, as indicated on the right hand side of the appliance (Fig 2b).

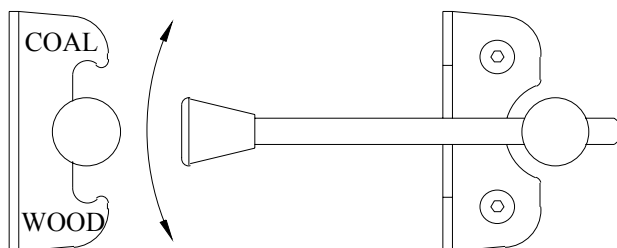


Figure 2a

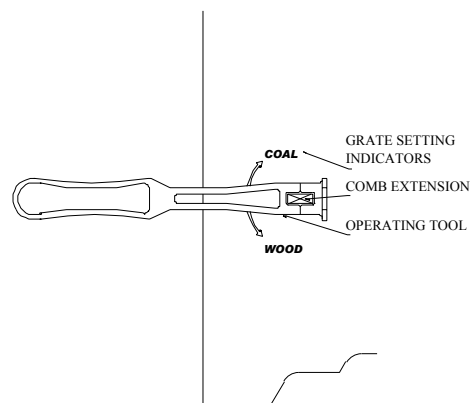


Figure 2b

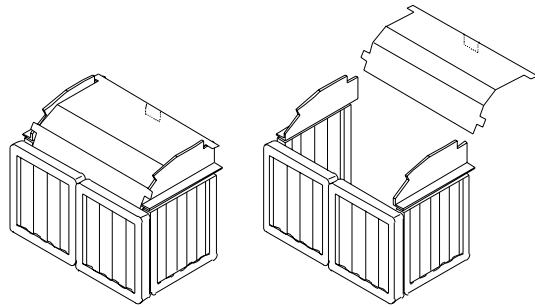
4. REFRACTORY LINING FOR Sf CONVECTOR MODELS ONLY

Warning: Refractory linings are very fragile, handle with extreme care.

Stratford Sf Multifuel Convector are lined with reflective panels, consisting of a combination of rectangular linings, which sit on the rear ledge, and side linings which sit on the landings. A throat plate is sited above the grate, so shaped that it rests on steel guides and between the side linings.

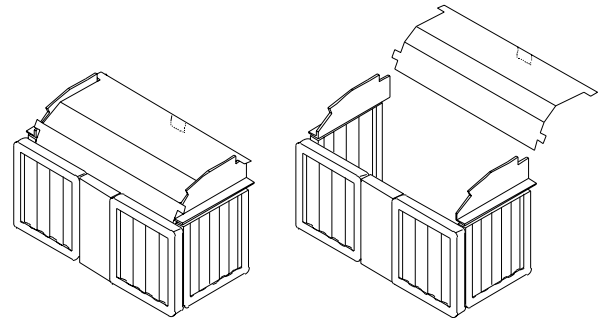
If the refractory linings have not been fitted to your appliance prior to despatch, they should be fitted as follows:

Stratford Sf30 & Sf50 (see Fig 3 & 4)



SF30 CONVECTOR

Figure 3



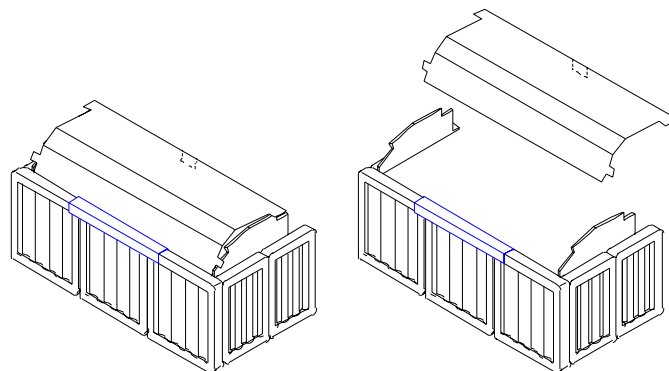
SF50 CONVECTOR

Figure 4

- Remove front fuel retainer bars.
- Set the two linings on the side ledges on either side of the firebox.
- Set the rectangular linings on the upper surface of the grate bar channel at the rear of the firebox.
- Fit the throat plate with the tab at the front marked "Throat plate" pointing down, with the projecting lugs on the sides of the throat plate resting on the top of the baffle landings and the bend at the back resting against the rear refractory lining
- Replace the front fuel retainer bars.

Note: *Neither the rear linings nor the side linings are "handed" and both faces are suitable for direct contact with the fire.*

Stratford Sf70 & Sf90 (see Fig 5)



SM70 Convector / SM90 Convector

Figure 5

- Remove front fuel retainer bars.
- Set the four linings on the side ledges on either side of the firebox. See Fig 5.
- Set the three 197mm x 230mm rectangular linings on the upper surface of the grate bar channel at the rear of the firebox.
- To keep the back linings in position, locate the stainless steel locking channel centred on the top edge of three rear linings.
- Fit the throat plate with the tab at the front marked "Throat plate" pointing down, with the projecting lugs on the sides of the throat plate resting on the top of the steel guides, and the bend at the back resting against the rear firebox lining.
- Replace the front fuel retainer bars.

Note: *Neither the rear linings nor the side linings are handed and both faces are suitable for direct contact with the fire.*

5. THROAT PLATE INSPECTION

The throat plate for all fires type consists of a profiled steel plate with "drop down" facility for inspection purposes.

To "drop" the throat plate (Fig 6), engage the operating tool behind the downstand tab marked "throat plate" and pull the plate forward until its forward lugs drop into the cut-away at the front of the side panel. Check the upper surface for soot, ash build-up, etc. Reverse the procedure to return the throat plate to the working position.

Warning: *If the fire is operated with the throat plate in the down position the air wash will not operate effectively.*

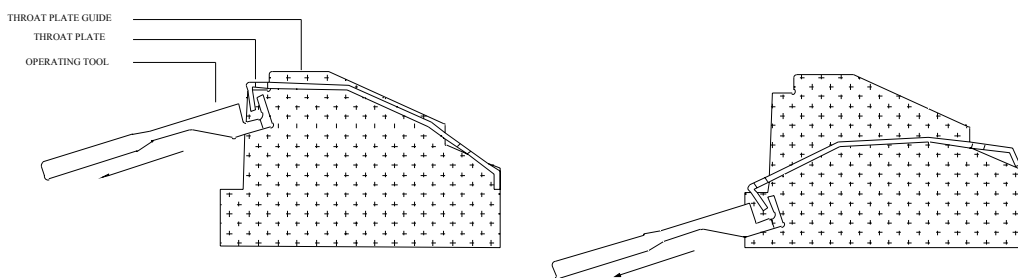
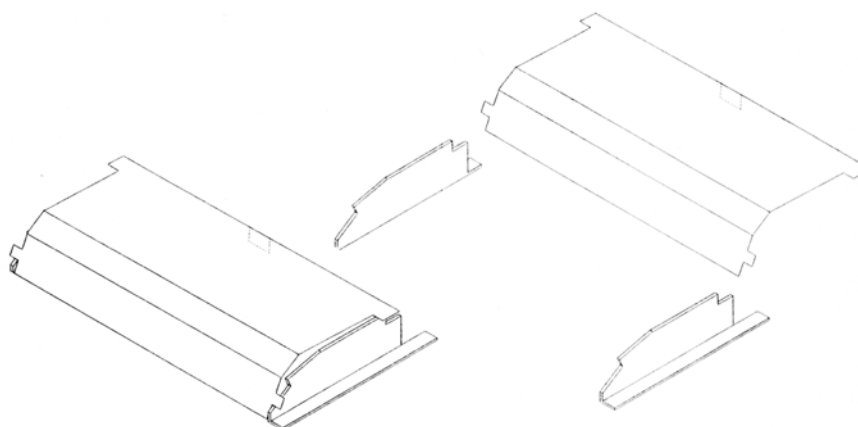


Figure 6

Throat Plate position for Si only



SI40/SI60 INSETS

6. THE AIR SYSTEM

Flue Outlet/Hot Plate only for Sf

The flue outlet is packed together with the firebrick lining and multi-purpose tool, inside the appliance. The hot plate comes fitted on the top of the fire.

To fit flue outlet:

- Select the desired position (top or rear outlet)
- Smear a **very** thin layer of suitable sealant or fine adhesive fire cement around the edge of the flue cut-out in the appliance
- Fit outlet and lock into place by rotating anti-clockwise
- Similarly fit the hot plate to the unused position
- Clean off surplus sealant

Air Inlet Controls

Stratford Multifuel Sf & Si fires have two air inlets.

1. The air wash system (so called because its pre-heated high speed air washes across the inner face of the door glass, keeping it clear), which provides over draught, and
2. The primary air inlet providing under draught to the base of the fire chamber.

Primary Air

On all Multifuel units primary air enters the appliance through the gap between the body and the ash pit door. The width of the gap is controlled by rotating the knob (if hot, with the operating tool) anti-clockwise to increase the air inlet, clockwise to reduce the air inlet, or to seal the ash door completely.

On units fitted with a thermostat, partial opening of the ash door will over-ride and negate the thermostatic control.

Note: Opening or part opening of the ash door is controlled by the "interlock" device located in the front of the unit (refer to INTERLOCK section on page 9)

Thermostats

Stratford Sf Integral Boiler units have a thermostatically controlled rear air inlet. The damper plate at the back of the appliance regulates the amount of under draught entering, depending on the setting of the thermostat control knob (located at the bottom rear of the right hand side of the unit) and the temperature of the water transmitted through the sensor phial in the water jacket.

Stratford Si units have a thermostatically controlled side air inlet. The damper plate at the side of the appliance regulates the amount of under draught entering, depending on the setting of the thermostat control knob (located at the top of the left hand side of the unit) and the temperature of the water/air transmitted through the sensor phial in the water/air jacket.

Stratford Sf & Si: with the ash door fully shut, the settings range from 0 (fully anti-clockwise) a shut-off setting at which the damper will shut off the under draught completely, causing the fire to die down and in time go out, to 8 (fully clockwise) the highest setting at which the appliance will burn fiercely and produce very high outputs.

Note: The area around the thermostat, both inside at the back of the firebox and externally, must be cleared of ash and other debris regularly.

For setting instructions refer to "Checking Thermostat" in the installation instructions.

On units fitted with a thermostat, partial opening of the ash door will over-ride and negate the thermostatic control.

Air Wash

The air wash has an internal sliding plate with slots, housed in a cover plate, and is located above the fire door. Sliding the control shaft to the right as far as will go achieves the fully open position. Sliding it the left will shut off the air inlet slots. The operating tool should be used to tap the control shaft to the desired setting. Even when all the slots are completely shut a "bleed" of secondary air will be maintained ensuring that inflammable gases are burnt off.

Disassemble Air Wash (see fig. 7)

The air wash may be disassembled for cleaning or adjustment to achieve this the following procedure should be followed when the fire is cold and unlit.

- Support Air Wash cover with one hand
- Move cover up by smartly tapping the bottom with a hammer.
- Remove assembly from appliance.
- Clean and/or adjust.
- Refit using reverse procedure.

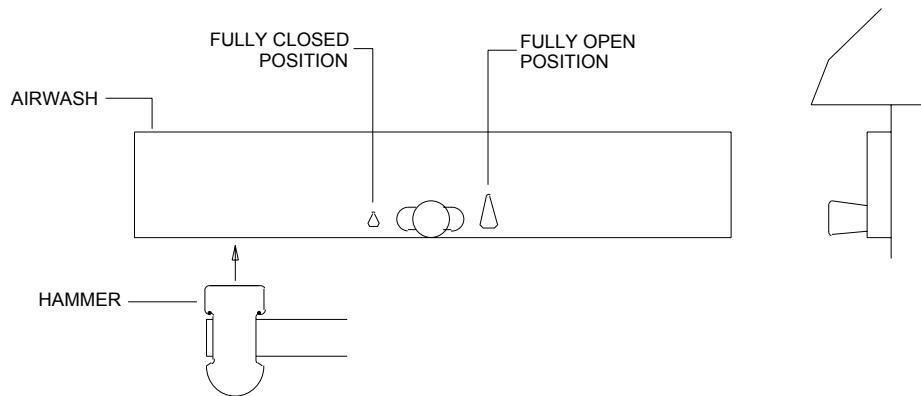


Figure 7

A - Interlock

Stratford Sf & Si fires are fitted with an "interlock" system. A situation where the fire door is closed and the ash door is open may lead to serious overfiring which could damage the appliance. Correct use of the doors and interlock system will ensure that this does not happen.

Operation is as follows:

A pivoted lug prevents closure of the fire door, unless the ash door has been shut first.

When the fire door is shut the ash door knob can be turned anti-clockwise by up to 95 degrees creating a variable gap between the top of the ash door and the body, through which primary combustion air can enter the appliance.

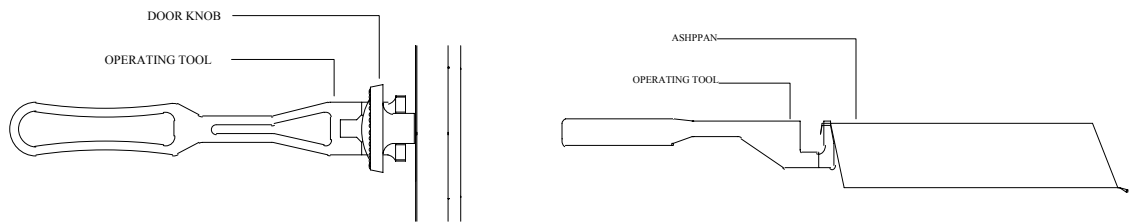
Note: In order to turn the ash door knob sufficiently for the catch to release and permit the ash door to be opened fully THE FIRE DOOR MUST BE OPENED FIRST.

SUMMARY: Sequence of operations

- Close ash door.
- Close fire door.
- Set primary air gap (if required).
- Open fire door.
- Open ash door.

B - Multi-purpose operating tool

Your **Stratford Stove** comes with a multi-purpose operating tool which is used for the emptying of the ash pan and opening the ash pit door (see fig.8 overleaf). For the Si only it is also used for de-ashing the appliance and for setting the grate to the wood or coal positions as marked on the side of the appliance.



Ash pit door

Figure 8

7. GLASS/TRIM

A gilt trim fitted around firedoor glass comes as standard. It clips on to the small lugs at the top and bottom of the aperture in the cast iron firedoor, as a "spring fit". When fitted, the trim locks the glass retaining clips in position. (see fig 9).

If necessary the glass can be removed as follows:

- Remove the gilt trim by pressing on the curved edge at the top until the trim can be disengaged from the lugs.
- Slide the two glass retainer clips on one side only inwards towards the centre of the door as far as they will go.
- Pull this side of the glass away from the door casting, easing the tags on the glass retaining clips past the edge of the aperture in the door casting.
- Remove the glass completely and store glass retaining clips and white gasket (if sound) safely for re-use.
- Follow this procedure in reverse to fit replacement door glass or gasket.

The fire door should be lifted off the hinges so that the above operations can be carried out on a work bench or similar surface.

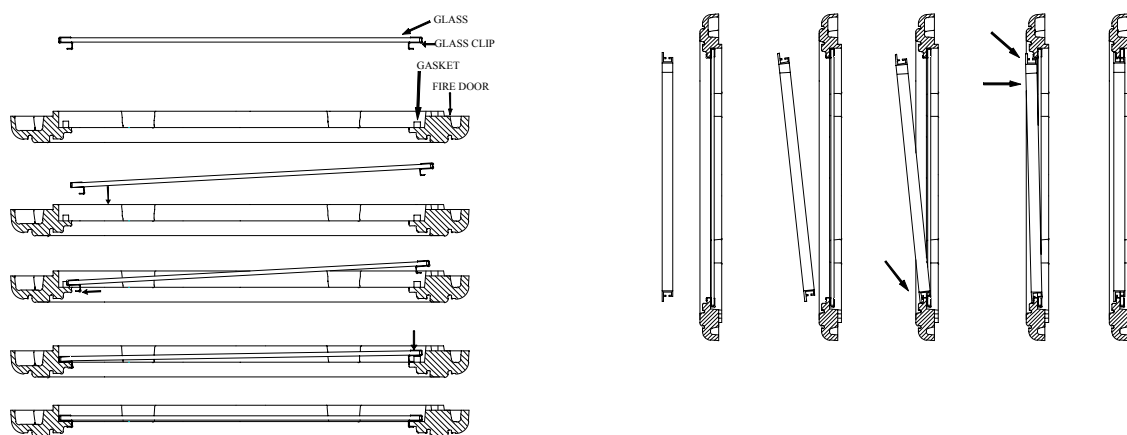


Figure 9

8. DOOR ADJUSTMENTS

The catch can be adjusted by sharply tapping the catch on the inside of the door as shown in Fig 10. Once the appliance has been under fire for a period of time the fire door may appear to have moved out of alignment with relation to the door aperture or catch on the door interlock mechanism. This is quite normal and due to the settling of the casing.

The fire door can be re-aligned by the user as follows:

- When the appliance is cold, open the fire door so that it is at a right angle to the front face of the fire.
- Lift the fire door up off the hinges.
- Gently tap the two hinge pins in a direction to compensate for the misalignment.
- Refit the door and check to ensure it now sits square to the body; if not repeat above steps.

Raising the door as follows:

- When the appliance is cold, open the fire door so that it is at a right angle to the front.
- Lift the fire door up off the hinges.
- Drop one washer (supplied) on the top and bottom hinge pin.
- Refit the door and check to ensure door is free of the interlock. If not remove and repeat fitting second washer.

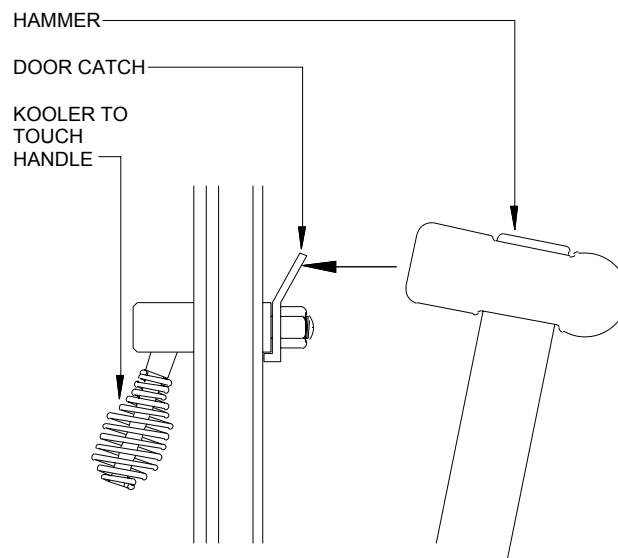
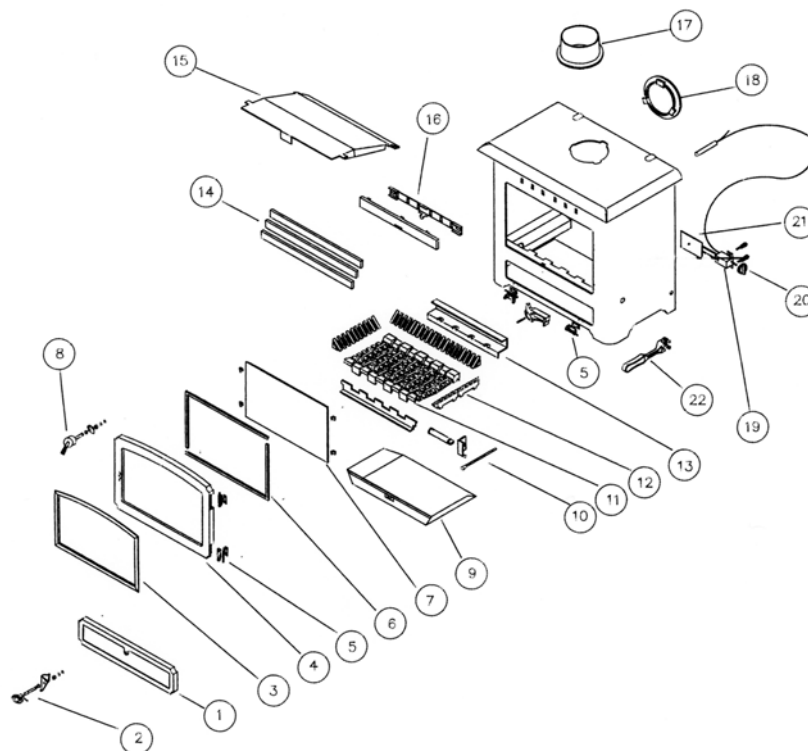


Figure 10

9. SPARE PARTS LIST

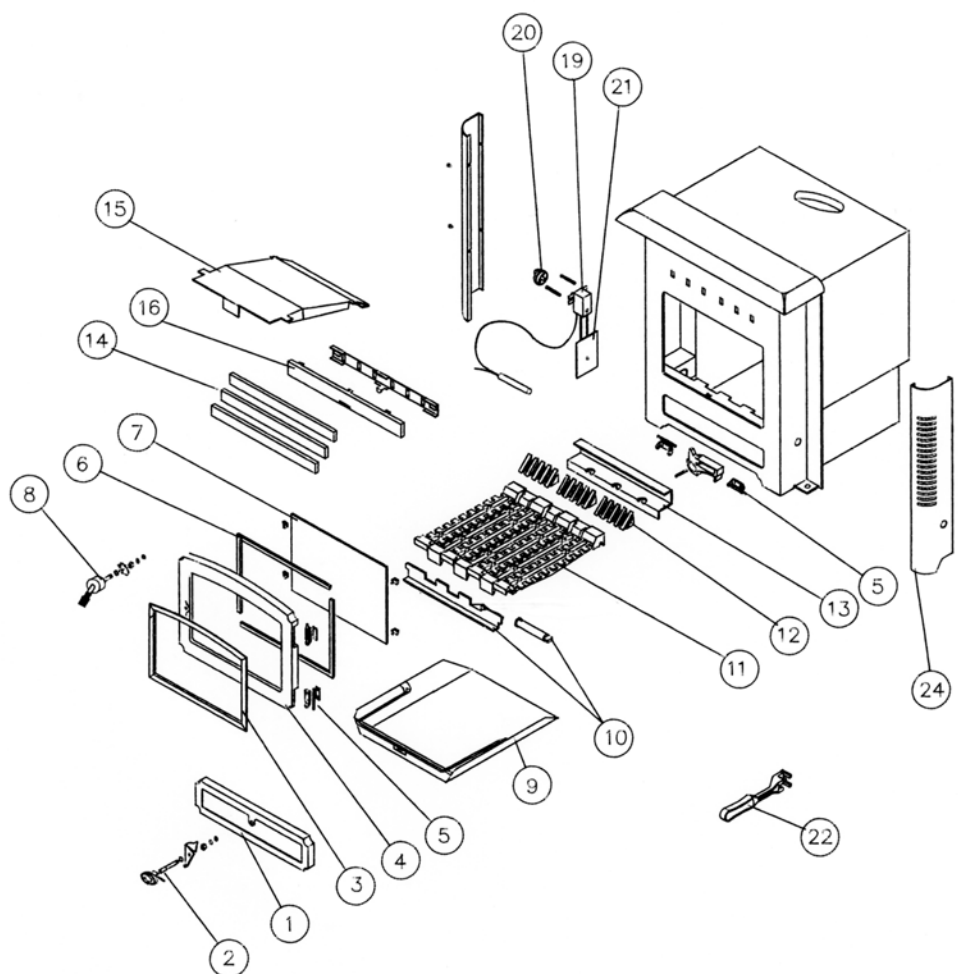
A - Stratford Sf

Description	Item	Part No			
		Sf30	Sf50	Sf70	Sf90
Ashpit Door, complete with Handle & Seal	1	AFS045	AFS046	AFS049	AFS049
Ashpit Door Handle	2	AFS041	AFS041	AFS041	AFS041
Decorative Trim (Door Surround)	3	AFS095	AFS096	AFS097	AFS097
Gold Black		AFS095A	AFS096A	AFS097A	AFS097A
Fire Door, Complete with handle, Glass, Gaskets, Clips & Seal	4	AFS200	AFS201	AFS202	AFS202
Hinge Kit, Comprises 2 Hinges, 4 Shims & Fixings (1 set)	5	AFS047	AFS047	AFS047	AFS047
Glass Replacement Kit, Complete with Gaskets & Clips (Not Glass)	6	AFS089	AFS091	AFS093	AFS093
Glass Kit, Complete with Glass, Gasket & Clips	7	AFS088	AFS090	AFS092	AFS092
Fire Door Handle complete	8	AFS203	AFS203	AFS203	AFS203
Ash pan	9	AFS050	AFS051	AFS052	AFS053
Riddling Lever & Riddle Assembly	10	AFS164	AFS165	AFS166	AFS167
Grate Bar	11	AFS001	AFS001	AFS002	AFS003
Fire Bed Surround	12	AFS007	AFS007	AFS007	AFS007
Grate Bar landing with fixings	13	AFS074	AFS076	AFS082	AFS084
Convector Models Boiler Models		AFS075	AFS077	AFS083	AFS085
Fuel Retainer	14	AFS152	AFS153	AFS154	AFS154
Throat Plate (Baffle)	15	AFS030	AFS031	AFS034	AFS035
Air wash Inner & Outer	16	AFS025	AFS025	AFS025	AFS025
5" Flue Outlet	17	AFS009	AFS009		
6" Flue Outlet	17			AFS011	AFS011
5" Hot Plate	18	AFS010	AFS010		
6" Hot Plate	18			AFS012	AFS012
Thermostat Assembly, Includes Damper, Fixing & Control Knob	19	AFS020	AFS020	AFS020	AFS020
Thermostat Control Knob	20	AFS022	AFS022	AFS022	AFS022
Thermostat Damper Plate	21	AFS021	AFS021	AFS021	AFS021
Operating Tool	22	AFS008	AFS008	AFS008	AFS008
Door Rope Kit (Not Shown), Complete with Glue & Shims	23	AFS048	AFS048	AFS048	AFS048
Comb	24	AFS168	AFS170	AFS172	AFS173



Use of spare parts other than those supplied by Arada Ltd will invalidate the appliance guarantee.

Description	Item	Part No	
		Si40	Si60
Ashpit Door, complete with Handle & Seal	1	AFS045	AFS046
Ashpit Door Handle	2	AFS041	AFS041
Decorative Trim (Door Surround)	3	AFS095 AFS095A	AFS096 AFS096A
Fire Door, Complete with handle, Glass, Gaskets, Clips & Seal	4	AFS200	AFS201
Hinge Kit, Comprises 2 Hinges, 4 Shims & Fixings (1 set)	5	AFS047	AFS047
Glass Replacement Kit, Complete with Gaskets & Clips (Not Glass)	6	AFS089	AFS091
Glass Kit, Complete with Glass, Gasket & Clips	7	AFS088	AFS090
Fire Door Handle complete	8	AFS203	AFS203
Ash pan	9	AFS054	AFS055
Comb & Comb Extension	10	AFS062	AFS065
Grate Bar	11	AFS003	AFS003
Fire Bed Surround	12	N / A	N / A
Grate Bar landing with fixings	13	AFS078 AFS079	AFS080 AFS081
Fuel Retainer	14	AFS152	AFS153
Throat Plate (Baffle)	15	AFS032	AFS033
Air wash Inner & Outer	16	AFS025	AFS025
Thermostat Assembly, Includes Damper, Fixing & Control Knob	19	AFS023	AFS023
Thermostat Control Knob	20	AFS022	AFS022
Thermostat Damper Plate	21	AFS021	AFS021
Operating Tool	22	AFS008	AFS008
Door Rope Kit (Not Shown), Complete with Glue & Shims	23	AFS048	AFS048
Side trim, 1 pair	24	AFS026A	AFS027A



Use of spare parts other than those supplied by Arada Ltd will invalidate the appliance guarantee.

10. ACCESSORIES

Stands

Elegant stands are available for the Stratford Sf only. These increase the height of the appliance and rear flue outlet by approximately 125mm (6"). Check current brochure for details.

Traceries

For added decorative effect, beautiful Door Traceries (Arches, Dawn & Sunburst) are available for the complete Stratford fires range.

Paint

Matching aerosol paint to tone in any connecting flues, pipes or surrounding metalwork.

Interchangeable Canopy

Traditional canopy (Low) is available for the Stratford Si only. It is easy to fit and can always be added afterward.

Add in Boilers (see fig 11)

A "slab" type add-in-boiler is available for the Stratford Sf only, which occupies the position of the rear firebox liner panel.

Stratford Sf convector units can be fitted with "slab" type boilers only, not "cantilever" type.

Fitting:

- Remove the fuel retainers, rear firebox liner panels and throat plate.
- Knock out the 2 blanking discs corresponding to the terminals on the boiler at the rear of the fire.
- Introduce the boiler to the appliance through the main fire door and locate the terminal pipes through the back plate holes and seal around boiler terminals with fire cement.
- Engage locking nuts to the thread of the terminals and tighten to secure the boiler in position, ready for connection to flow and return pipes.
- Replace, throat plate and fuel retainers.

Note: On boilers the terminal which is approximately flush with the edge of the boiler and marked "TOP" must be fitted uppermost, to prevent "Kettling".

For details of the outputs and sizes for your particular model please see Chart overleaf.

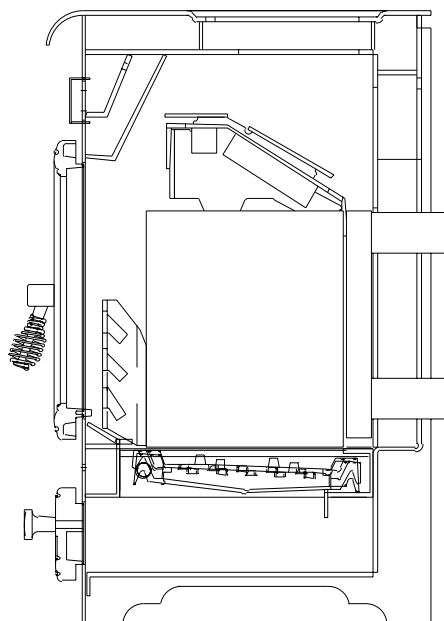


Figure 11

TECHNICAL DATA		THE STRATFORD Sf RANGE							
		Stratford Sf 30		Stratford Sf 50		Stratford Sf 70		Stratford Sf 90	
		<i>Conv.</i>	<i>Boiler</i>	<i>Conv.</i>	<i>Boiler</i>	<i>Conv.</i>	<i>Boiler</i>	<i>Conv.</i>	<i>Boiler</i>
Room Heater only	Min/Max output (kw)	2 - 8	N/A	3 - 11	N/A	4 - 19	N/A	5 - 26	N/A
Room Heater with domestic hot water with optional add in boiler	Boiler type 30			Boiler type 50		Boiler type 70/90		Boiler type 70/90	
	Max output to room (kw)	5.4	N/A	8	N/A	16	N/A	23	
	Max output to water (kw)	2.6		3		3.6		3.6	
Room Heater with built-in wrap around boiler	Max output to room (kw)	N/A	2	N/A	2.5	N/A	4	N/A	6
	Max output to water (kw)		7		11		16		22
Height (mm)		590	590	630	630	705	705	705	705
Width (mm)		560	560	665	665	750	750	750	750
Depth (mm)		370	370	375	375	450	450	515	515
Height to Centre(mm)		445	445	500	500	555	555	555	555
Depth from back to centre flue (mm)		139	139	135	135	172	172	172	172
Flue Diameter (mm)		127(5")	127(5")	127(5")	127(5")	152(6")	152(6")	152(6")	152(6")

TECHNICAL DATA		THE STRATFORD Si RANGE			
		Si 40 Convector	Si 40 Boiler	Si 60 Convector	Si 60 Boiler
Room Heater only	Min/Max output (kW)	2-10	N/A	4-15	N/A
Room Heater with built-in wrap around boiler	Maximum output to room (kW)		2.0	N/A	3.0
	Maximum output to water (kW)	N/A	12.0		16.5
Height of front (mm)		575	575	620	620
<i>with Low Canopy</i>		706	706	786	786
Width of front (mm)		590	590	705	705
Depth of front (mm)		140	140	140	140
Height of inset box		545	545	585	585
Depth of inset box (mm)		360	360	360	360
Flue Diameter (mm)		127 (5")	127 (5")	127 (5")	127 (5")

11. FUELS

Fuel retainer bars

Fuel retainer bars are supplied with multifuel fires. For wood burning the top bar may be removed affording a better view of the fire. Slide and lift the bar until it is clear of the guides at each side, and remove through the fire door opening.

The bars are symmetrical and of even lengths making incorrect fitting impossible.

Note: This operation should only be carried out when the appliance is unlit and cold.

Recommended fuels are as follows:

The Hetas Ltd, "Three Tick" appliance approval only covers the use of the following fuels in this appliance; Phurnacite, Phurnacite Plus, Centurion, Maxibrite, Extracite, Pureheat, Blazeprite, Taybrite, Sunbrite (Doubles/Singles), Anthracite and Welsh Dry Steam Coal (Large/Small Nuts). Approval does not cover the use of other fuels either alone or mixed with the suitable fuels listed above, nor does it cover instructions for the use of other fuels.

DO NOT USE SOFT COAL.

Do not use smaller sizes than Stovesse, e.g. Beans, Peas, Grains.

Do not use petroleum based solid products such as Calco or Petrocoke.

To do so will invalidate the appliance guarantee.

Wood

Any type of wood is suitable provided it is well seasoned and has been a moisture content below 20%. This usually implies that the timber has been stored at least nine months in the case of softwoods, and at least eighteen month in the case of hardwood. In cases where the moisture content is above 20%, tests show that better results are achieved by mixing the fuels 50% wood and 50% solid fuel, although some discoloration of the glass is likely. The coal burning setting should be used when mixed fuels are burnt. We recommend that for general burning, wood should be split into logs of no more than 130mm (5") diameter.

Larger logs can be used for overnight burning

Warning: Green wood must not be used, as this will greatly contribute to the creation of tar and creosote, which may, in extreme cases, run down the chimney in liquid form. This will seriously damage both the chimney and appliance.

Note: If you have sticky tar inside the appliance or chimney your wood is green.

Peat

Peat can be used in turf or briquette form, but again the moisture content must be low. Treat in a similar fashion to wood, however it does produce a lot of ash.

Paper

Household refuse will burn successfully. Burn dry waste only or chimney damage will occur. DEFINITELY NO PLASTICS.

Coal

Household coal produces a large amount of ash and smoke. If used the appliance and the chimney will require frequent cleaning. Therefore soft house coal is not recommended.

12. LIGHTING THE FIRE

Pre-lighting checks

Check with your installer that:

- All building work is complete.
- The chimney is sound and has been swept and is free from obstruction.
- Adequate provision for combustion air has been made, i.e. a permanent vent of at least 550mm² per kW of rated output above 5 kW, is fitted in the room in which the appliance is installed.
- That Building Regulations and any local by-laws have been followed during installation (see installation instructions).
- All firebox liner panels are in place.
- That the grate is correctly fitted and moves freely.
- That the ash pan is fitted.
- For all boiler models: that the system is full of water and vented, and precautions have been taken to prevent corrosion (see installation instructions).
- There is sufficient draw in the chimney. When the chimney is warm the draught should be between 1 - 2mm water gauge (0.1 - 0.2mbar).

ENSURE THAT YOU HAVE READ AND UNDERSTOOD THESE INSTRUCTIONS BEFORE LIGHTING THE FIRE.

Lighting the fire

Solid fuel burning

- On multifuel fires with variable grate setting facility set the grate to the "coal" burning position.
- Ensure that ash pan is in position and the fire door closed.
- Set the air wash to one quarter open position.
- Set the primary inlet to the fully open position (or the thermostat control knob to setting 8).
- Light in the normal manner with paper and kindling, or use a fire lighter.
- If using a gas poker be sure to remove it immediately the fire has started.
- When the fire is well alight regulate the burning rate by adjusting the setting on the primary air inlet control or the thermostat.
- The air wash can be opened sufficiently to keep the door glass clean.

Wood burning

- Set the grate to the "Wood" burning position.
- Set air wash to fully open position
- Proceed as for solid fuel but note the fire will burn up and become established more quickly.

Mixed Fuels

- As per coal but allow additional secondary air

On fires fitted with an air wash and a manually controlled primary air inlet the air inlet can be closed, and burning regulated by means of the air wash above the door. On models fitted with Thermostatic control the amount of air entering the ash pit chamber can be reduced, and supplemented with over draught via the air wash.

Warning Boiler Models: Do not light the fire if it is suspected that any part of the water system is frozen.

Note: The high temperature paint acquires durability by being "cured" during the initial firings of the appliance. During this process the appliance will give off fumes which are non-toxic, but which certain persons may find have an unpleasant or irritant effect. Ensure that the area is well ventilated during this time. Alternatively carry out initial firings in an exterior environment prior to installation.

13. OVERNIGHT BURNING

The appliance will burn easily overnight provided:

- Sufficient fuel is placed in the firebox.
- The controls are set correctly.
- Excess draught is not present in the chimney.

Solid Fuel

Manufactured smokeless fuel:

- Start with a fire that is burning well. De-ash the fire.
- Empty the ash pan if necessary.
- Place as much fuel in the appliance as possible without the stability of the fire being affected.
- Set the air wash on a low setting.
- Set the bottom inlet control to a minimum, or on models with thermostat set the control knob to a low setting.

In the morning

- Run with air inlet control fully open for about ten minutes.
- De-ash lightly. Re-fuel and empty the ash pan.

Anthracite

Anthracite is more difficult to keep in for long periods. Consequently more care in setting the controls and some familiarisation is necessary when burning anthracite. Use the smallest size fuel (Stovesse or Small Nuts). Proceed as for manufactured smokeless fuel.

Leave air inlet control open about a quarter or less (Thermostat setting 3).

In the morning

- Open air control fully until the embers begin to glow brightly.
- Lightly de-ash.
- Place smaller pieces of fuel on the fire up to the top of the fuel retainer bars.

- When the fire is well established de-ash and empty the ash pan.

Note: *The exact setting of the controls will vary with chimney conditions etc. If the fire goes out with unburnt fuel left in the firebox, increase the air opening slightly, and vice versa.*

Wood

- Fill the firebox as much as possible with pieces of wood cut to the width of the firebox.
- Stack the wood so that few air gaps exist between the pieces of wood.
- Close the door.
- Close the lower air inlet to a setting depending upon atmosphere conditions (on a windy night it should be almost completely closed whereas on a still night a more open setting will probably be required to prevent the fire going out) set the air wash to about one half open subject to the guidance on atmosphere conditions.

Note: *The setting of the controls will also be affected by chimney conditions etc. If the fire goes out with unburnt fuel left in the firebox, increase the air opening slightly, and vice versa.*

In the morning

- Open the air control fully until embers begin to glow brightly and place pieces of fuel on the fire until it is well established.

Warning: When wood is burnt slowly in a closed appliance it produces moisture and tar, which will create condensation and deposits in the chimney. This effect can be minimised by burning hard for a short period, about 20 minutes, twice a day. It is usually convenient to do this morning and night.

Note: *To avoid chimney problems your fire should not be burnt slowly for longer than 12 hours without a period of fast burning.*

Warning: Properly installed, operated and maintained this appliance will not emit fumes into the dwelling. Occasional fumes from the de-ashing and re-fuelling may occur. However, persistent fume emission is potentially dangerous and must not be tolerated.

If fume emission does persist, the following immediate actions should be taken.

- Open doors and windows to ventilate room
- Let the fire out or eject and safely dispose of fuel from the appliance.
- Check for flue or chimney blockage, and clean if required.
- Do not attempt to re-light the fire until the cause of the fume emission has been identified and corrected. If necessary seek expert advice.

14. ASH REMOVAL

De-Ashing (Solid Fuel)

It is necessary to maintain an ash layer on the upper surface of the grate bars, in order to protect them so de-ashing should cease as soon as the first red embers drop into the ash pan. Further de-ashing will cause heat build-up under the grate, which will considerably shorten its life. This operation should be carried out with the doors closed to prevent dust escaping into the room.

For Stratford Sf

- Move up and down vigorously the riddling lever (Ash will fall into the ash pan beneath the grate).
- When de-ashing is complete re-set grate to previous position.
- Empty ash pan

Note: *Do not force the riddling lever.*

For Stratford Si

- Engage the operating tool on the comb extension.
- Move up and down vigorously the riddling lever (Ash will fall into the ash pan beneath the grate).
- When de-ashing is complete re-set grate to previous position.
- Empty ash pan

The ash pan should be emptied at least twice a day or when the level of ash reaches the top of the pan. On no account should the ash be allowed to build up to touch the grate as this will greatly shorten its life.

To empty the ash pan

Open the fire door; open the ash door. Fit the fork end of the operating tool into the ash pan and remove from the ash pit chamber. The ash pan on some large appliances has a pivoted "strap" handle to make carrying easier. This handle can get very hot and an oven glove or similar should be used.

Warning: The ash can be very hot. Empty only to a metal container. Even if the ash appears cold, red-hot pieces of ash may be concealed and could easily start a fire or cause an injury. Replace the ash pan and close ash door. Close the fire down.

Over-firing

Do not over fire your appliance. Using flammable liquids or too much wood or firing the stove at maximum for prolonged periods may result in over-firing. If the chimney connector or casing glows red it is being over-fired. If this occurs immediately close all air inlets to the appliance to reduce the air supply to the fire. Should a chimney fire occur immediately close the appliance down. Get everyone out of the house and call the fire brigade. A chimney fire may cause a structural damage of the chimney. Do not use the appliance until the chimney and connector have been inspected and any damaged parts have been repaired or replaced. A chimney sweep can perform this inspection.

Clinker

The formation of clinker suggests that the unit is being over-fired. Any clinker forming on the grate should be removed when cold.

15. CLEANING

Important

Under some circumstances soot can quickly build up on the throat plate and adjacent areas. The throat plate should be removed and checked monthly, and any soot stripped off. Similarly, clean the upper surface of the firebox.

Refer to page 7 for instructions on throat plate inspection.

It is important that your fire is regularly serviced in accordance with the manufacturers instructions at least annually by a qualified person and should consist of the following.

Annual Maintenance

Remove the firebricks lining (if fitted), throat plate, grate bars and ash pan. Also inspect all gasketing on doors glass etc., and re-order any items that may need replacing, **from your Arada dealer**. With a wire brush clean inside the appliance paying particular attention to the small inlet holes of the air wash on the inside, above the fire door and to the door interlock ensuring free movement of the mechanism exists. Sweep the chimney and confirm that it is sound. Examine all joints in the flue pipe etc., and re-seal if necessary. Reassemble and leave with the air inlet and air wash control about half way open. This will allow a free flow of air through the appliance thus preventing moisture and condensation from building up inside the fire and chimney.

Chimney Sweeping

Sweeping should be carried out with a wire-centred sweep's brush fitted with a guide wheel. As with all multifuel appliances regular sweeping of the flue is essential to avoid the danger of blockage and the escape of poisonous fumes.

Any existing chimney should be swept prior to installation of the appliance, and swept again a second time **within one month** of regular use after installation. Sweep the whole flue way, including the outlet, at least twice per burning season. It is important that the flue ways, flue pipe and chimney be cleaned prior to lighting the fire after a prolonged shut-down period.

Stop using the appliance if you smell fumes or see smoke escaping.

Stratford stoves are designed so that the flue can be swept through the appliance once the throat plate has been removed. Access for cleaning should also be incorporated in the chimney (i.e. a soot door).

Door Glass

The door glass should remain clear during normal daytime burning. However under certain conditions-such as burning at a low rate with damp fuel, or overnight burning of wood, the glass may become somewhat blackened. To remedy this, operate the appliance at a fast rate. Alternatively open the door and clean the inside face of the glass with a damp cloth or with glass cleaner (available from fire stockists) taking care not to burn fingers. A piece of cloth moistened with vinegar and dipped in wood ash - not coal ash - will provide a good soft scourer to remove the soot without scratching the glass.

Other Surfaces

The outside finish of the appliance is a durable high temperature paint. It is best cleaned by brushing down with a clean shoe brush. Do not allow moisture to remain on the appliance whilst cold or surface rust may form.

Outer Finish

The high temperature paint should not require attention for some time, depending on use. The hotter the fire burns the sooner repainting will be necessary. Aerosol tins of paint are available for complete refurbishing. Before repainting make sure that the fire is out and is cold.

- Remove the door glass and gilt trim.
- Lightly wire brush, or rub with wire wool, the body of the appliance to remove any loose paint powder.
- Mask or remove items such as brasswork, thermostat knobs
- Any adjacent brickwork, mantelpiece, hearth, etc., should be carefully masked for quite a distance around the appliance. (this precaution is to prevent discoloration of the surrounding brickwork, wallpaper etc.).

Re-spray in a well-ventilated area - avoid breathing the vapour.

- When the paint is dry refit door glass and any other parts previously removed.
- Leave the appliance for eight hours before re-lighting. Burn slowly for the first four hours, then build up heat gradually to cure the paint.

Note: Use only genuine Arada touch-up spray; as some paints interact. This could ruin the finish and invalidate the guarantee.

16. SAFETY

A fireguard conforming to BS 6539 should be used in the presence of children and old/or infirm people. If the appliance is used with the fire door open, a spark guard conforming to BS 3248 should be fitted.

Do not use aerosol sprays near the appliance under fire

Do not fit an extractor fan in the same room as the appliance.

Fire cement is caustic and prolonged contact with the skin should be avoided.

Arada Ltd will not be responsible for any consequential or incidental loss, or injury however caused.

USE OF SPARE PARTS OTHER THAN THOSE SUPPLIED BY ARADA LTD WILL INVALIDATE THE APPLIANCE GUARANTEE.

Installation Instructions For The Stratford Sf & Si Multifuel

17. GENERAL

During installation ensure that adequate precautions are taken to avoid unnecessary risk to yourself or any householder. In particular the danger from asbestos dust and the caustic nature of the fire cement should be avoided by using these accepted methods:

- Thoroughly soak any asbestos sheet prior to cutting or drilling.
- Wear gloves when handling fire cement.
- Wear goggles when chiselling or looking up chimneys.

Make sure that Building Regulations are adhered to during installation along with any local by-laws. Codes of Practice CP. 131: 403 and CP. 5118 should be followed. In the case of heating systems make sure that the pipe work is correctly bonded to ensure electrical earthing.

18. HANDLING

By the time you read this you will appreciate the weight of the appliance. To make movement easier internal fittings, fuel retainers, grates, firebox liners, flue outlets, hot plate, throat plate, etc., can be removed.

Always truck the appliance from the rear as this prevents loose items falling against and breaking the door glass.

Carrying the appliance will usually require at least two people, three in the case of the heavier models.

Avoid scratching or damaging the finish with dirty hands, etc., and cover the appliance with plastic sheet or similar to keep the dust off during installation.

Care should be taken to make sure that the hinges are not damaged during installation.

19. HEARTH

The fire should be installed to stand on a constructional hearth of non-combustible materials not less than 125mm (5") thick conforming to Building Regulations.

For fires with fixing holes, two M8 rawl-bolts should be fixed in the hearth, and the appliance bolted thereto.

Dimensions of the hearth will depend on whether it is freestanding or sits in a fireplace recess, but in any event the hearth should project at least 300mm (12") forward of the front of the appliance and 150mm (6") at the sides.

The surface of the hearth should be free of combustible materials. In most buildings with solid concrete floors the requirement will be met by the floor itself, but keep the floor covering well away.

20. COMBUSTIBLE MATERIALS

A gap of at least 300mm (12") should be allowed between the appliance and any combustible materials including furnishings.

Adjacent walls should be of suitable non-combustible construction, preferably brickwork. In large fireplaces take care that any supporting beam is protected by a 13mm (0.5") sheet of Masterboard/Supalux spaced 13mm (0.5") off the surface with strips of non-combustible material - not wood.

Make sure that there is a gap of at least 50mm (2") between an insulated fire system to BS.4543: Part 2,1990 and any combustible material.

On fires fitted with a rear mounted thermostat it is important that there is sufficient clearance to the rear and side of the appliance to allow access to the thermostat for purposes of removal or replacement. A minimum clearance of 100mm (4") between the back of the appliance and the surface behind is advised.

21. AIR FOR COMBUSTION

There must always be a permanent means of providing air for combustion into the room in which the fire is installed. A permanent vent with a total free area of at least 550²mm for every kW rated output above 5kw should be connected directly to the outside air or to an adjacent room which itself has a permanent vent of the same size direct to the outside air. The fitting of an extractor fan to either of these rooms is not recommended.

Note: Where a flue draught stabiliser is used the total free area should be increased by 330 sq. mm for each kW of rated output.

22. BUILDERS OPENING/CHIMNEY BREAST

Stratford Si 40 fires are designed to be fitted into a rectangular recess not less than 400mm (15 3/4") deep, not less than 400mm (15 3/4") wide and not less than 550mm (21 1/2") high, the so-called "standard builder's opening".

For Stratford Si 60 fires the minimum depth required is as above but the width of the opening will need to be 610mm (24") minimum, and the height of the opening will need to be 615mm (24 1/4").

The fireplace surround should be vertical, and with a flat surface against which the unit can be sealed.

The height and width of the flat surface required will vary according to the model being installed. Where the unit is to be fitted into an existing opening it will normally be necessary to cut a hole through the chimney breast so that a flue connector can be fitted between the appliance and the chimney flue. Avoid damaging the lintel.

For boiler models it may be necessary to cut access holes through the side(s) or the chimney breast, so that flow and return pipes can be connected to the appliance.

23. CHIMNEY

Please remember that chimney draught is dependent on four main factors:

- Flue gas temperature.
- Flue height.
- Flue size.
- Flue terminal.

So keep the flue gas warm by using insulated pipes.

Ensure the flue is long enough - 3.65m (12") vertical height.

Stick to the appliance outlet size, or one size larger.

Terminate away from high trees, higher adjacent buildings, roof ridges, etc., in turbulent air flow (the termination of flues is also subject to criteria set out in the Building Regulations). If possible choose a site with an existing chimney which can be utilised.

Make sure that the manufacturer's recommendations are followed during installation.

Check the chimney is in good repair and free from cracks. When the chimney is warm, a draw of 1 - 2mm water gauge, or 0.1 - 0.2mbar is recommended. If the fire appears to be working hard but produces very little output to the room it is likely that excessive draw is present in the chimney, and that heat is being sucked out of the appliance and up the chimney. If this is the case we recommend the fitting of a flue or flue stabiliser in preference to a flue damper, in the interest of safety and efficiency.

We do not recommend the use of a damper when burning solid fuel.

Core the flue way to remove any blockages, birds nests, etc., and sweep through after any remedial work is completed.

For all appliances.

Access for cleaning the flue should be incorporated in the system other than through the appliance (i.e. a soot door).

For inset fires

If using an insulated steel flue (e.g. Midtherm) ensure that the manufacturer's directions are followed. Take special note that the first 450mm (18") of the flue should be single skin cast iron or heavy-duty steel flue.

When a flue lining is fitted (to stainless steel or pumice chimney systems) it should be supported independently to the appliance, i.e. with clips, brackets, flue lintels, etc. **NOT** simply resting on top of the appliance. It should be possible to remove the fire for major maintenance work.

Note: if the appliance is fitted with a draught stabiliser or if one is fitted to the flue pipe or chimney in the same room as the appliance, then the permanent air entry opening (or openings) should be increased by 300mm² for each kW of rated output.

24. INSTALLING THE FIRE

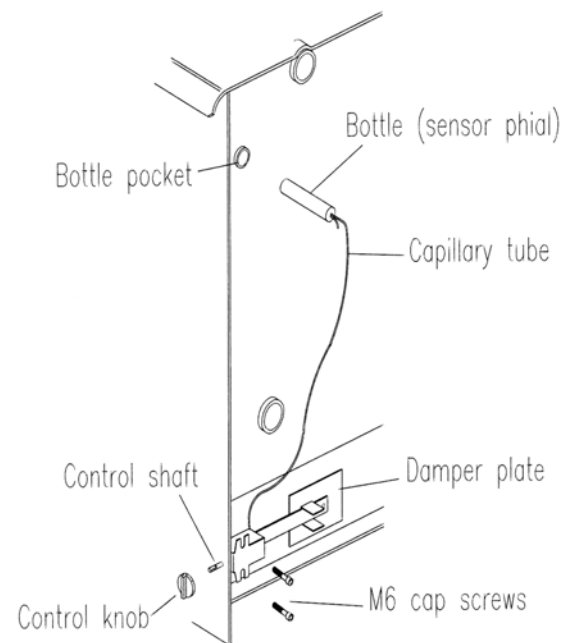
A - The Stratford Sf

Fitting and checking the thermostat (Integral Boilers only).

To fit: Pass the control knob through the hole near the back edge of the right hand side of the appliance body, keeping the mounting brackets on the outside away from the fire. Pass the two M6 screws through the brackets and screw into the threaded holes in the back of the appliance. Before finally tightening the screws adjust the position of the thermostat so that the damper laps the air inlet opening on all edges.

Tighten the screws sufficiently to hold the thermostat securely but do not over tighten. Uncoil the capillary tube taking care not to kink it, and insert the 'bottle' (sensor phial) into the pocket in the rear water jacket as far as it will go.

Shape and trail the capillary tube so that it is clear of pipe work, the damper arm, etc. The thermostat has been pre-set in the factory prior to despatch and should fit on to the appliance without requiring adjustment. However, it is advisable to check the cold setting distance prior to lighting a fire in it. With the control set at maximum there should be a gap of 23mm between the fire and the edge of the damper plate furthest from the control shaft. If this is not the case adjust by slackening off the lock nut and turning the adjusting nut on the damper plate. When the cold setting distance has been correctly set re-tighten the lock nut.



Fitting the Flue Outlet and Hot Plate.

The flue outlet spigot is found inside the appliance. The hot plate (blanking plate) is supplied fitted to the top opening and is removed by turning clockwise (as is the flue outlet).

Smear a very thin layer of fire cement on the faces of the flue outlet and the blanking plate. Fit the outlet to the appliance in the position desired.

Lock into place by rotating anti-clockwise and tighten by tapping with a block of wood and mallet. Similarly, fit the blanking plate to the unused opening. Clean off any surplus fire cement.

Place the fire on the hearth and make sure that it is level and does not rock.

Connect the chimney ensuring all joints are sealed with fire cement. The flue will accept 125mm (5") or 150mm (6") vitreous enamel pipe depending on which model is being installed.

Integral Boilers.

Integral boilers should be connected, with flow and return connection of any circuit on opposite sides of the appliance, (cross flowed), to an indirect hot water tank/system, adding Fernox or similar corrosion inhibitor to prevent corrosion and the formation of lime scale.

It is also essential that the return water temperature remains in excess of 45 degrees centigrade (Celsius). The gravity return should be fitted with a thermostat, which will activate a cut-out on the radiator circulating pump, should the temperature drop below this level.

Warning: if a pipe stat is not fitted then cold water corrosion can occur.

FAILURE TO COMPLY WITH THESE REQUIREMENTS WILL INVALIDATE THE GUARANTEE.

B - The Stratford Si

Take out the removable items from the appliance (see section 18 Handling). Plug boiler connections, which are not required.

Checking the thermostat.

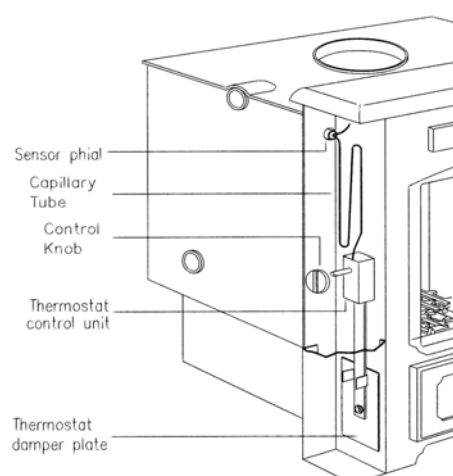
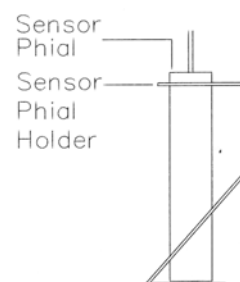
The thermostat is fitted within the outer casing on the left hand side of the unit's front. To remove the side panel loosen the top and bottom screws which can be found through the 2nd from top and bottom vents, the side panel can then be lifted up and off its key hole slots. The control knob which is inside the fire for despatch is fitted on to the shaft through the hole in the left hand casing. It is, however, advisable to check the cold setting of the thermostat before installing and running the appliance. This is best seen from inside the appliance with the grate, fuel retainer bars, ash pan, etc., removed.

With the control set at minimum the damper should be just touching the side of the ash pit chamber all round the air inlet grill.

With the control set at maximum (8) and the damper plate floating in its natural position, there should be a gap of approximately 27mm between the body and the edge of the damper plate furthest from the control shaft.

If the cold setting does require adjustment it will be necessary to remove the front trim to give access to the thermostat. To do this first remove the control knob from the thermostat shaft, then slacken the screws, which fix the casing to the unit front (a screwdriver can be inserted through the slots on the radius corner of the casing): the back of the casing laps over the flange of the unit front. Lift the casing and pull forward to remove. Adjust the setting by slackening off the lock-nut.

Replace the casing on the unit front and refit the control knob on to the thermostat shaft.



Positioning Appliance in recess.

Apply a thin cement slurry to the back of the hearth so that when the appliance is introduced into the opening the rim of the base forms a seal with the hearth.

Note: When installing a convector unit is it particularly important that any backfilling does not force material into the airway beneath the base plate thereby obstructing the circulation of air through the unit.

Insert the appliance into the recess, keeping it central, until the back of the front section butts against the flat surface of the fireplace surround. A satisfactory seal must be made and it may be necessary to interpose a sealing rope and fire cement between the appliance and the face of the fireplace surround.

Boiler unit only.

Connect pipe work to the boiler unit. The connected pipes should be screwed to a maximum depth of 15mm from the face of the tapping, (female 1" B.S.R). Steel integral boilers should be connected to an indirect hot water tank system.

Note: the flow and return sections of any circuit must always be opposite of appliance. Remember to incorporate a draining plug/tap at the lowest point to facilitate drainage & flushing.

Fill and test the system, adding Fernox or similar corrosion inhibitor to prevent corrosion and the formation of lime scale. **It is also essential that the return water temperature remains in excess of 45 degrees centigrade (Celsius). The gravity return should be fitted with a thermostat, which will activate a cut-out on the radiator circulating pump, should the temperature drop below this level.**

Warning: if a pipe stat is not fitted then cold water corrosion can occur.

FAILURE TO COMPLY WITH THESE REQUIREMENTS WILL INVALIDATE THE GUARANTEE

Reinstate brickwork around pipes using lime mortar, and make good.

Fill the space around the appliance level with the top unit with Vermiculite cement (6 parts Vermiculite granules to 1 part Portland cement). The flue socket in the appliance is designed to receive 5" or 6" nominal cast iron or heavy duty steel pipe connector which should be caulked with asbestos rope and fire cement.

The length of the connector pipe will be dependent on the distance between the top of the appliance and the bottom of the chimney but should be at least 300mm (12").

Fill the remaining space around the connector with the Vermiculite cement to a level where the pipe is effectively sealed in the chimney flue, ensuring that the flue gases can only be discharged into the flue way. Reinstate brickwork to chimney breast and make good. Remember to make provision for access to boiler connections for routine observation/maintenance.

Replace parts previously removed and check unit thoroughly.

25. FLUES AND CHIMNEYS

Flexible stainless steel liners used on all oil and gas appliances are NOT suitable for solid fuel and MUST NOT BE USED.

The diameter of the flue pipe should not be less than that of the appliance outlet.

If the flue dimensions are large, line the flue with insulated pipes to the point where the dimensions reduce. The minimum diameter of any flue should be 125mm.

The Building Regulations set out minimum distances between the termination of the chimney and the roof, including any roof lights.

A chimney may comply with the regulations but still be subject to down draught and similar problems. A chimney terminating above the ridge level is generally less likely to suffer such problems.

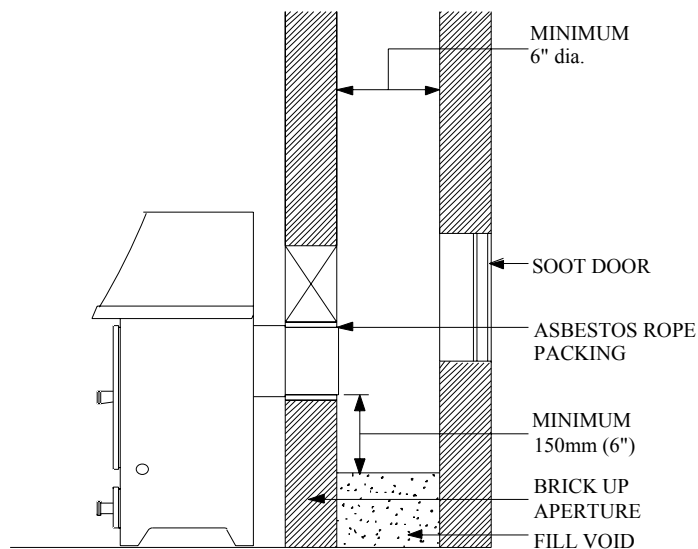
Chimneys should be as straight as possible.

Horizontal runs should be avoided except where the rear outlet of the appliance is used, in which case the horizontal section should not exceed 150mm (6") in length.

An access to the flue for sweeping must always be provided, irrespective of the flue type. Purpose made soot doors and inspection lengths are available from manufacturers of all systems.

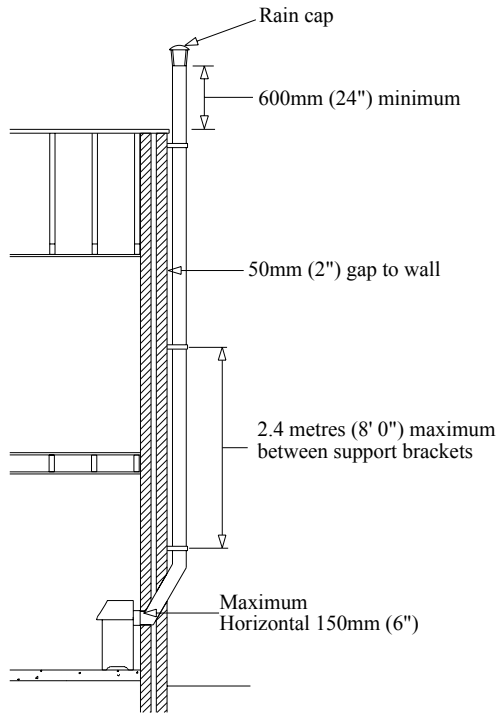
Ensure that the whole length of the flue can be reached from the soot door.

For advice on flues and chimneys contact H. DOCHERTY Ltd. Tel: 0845 6031715.

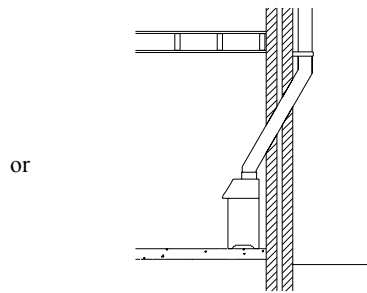


REAR FLUE OUTLET

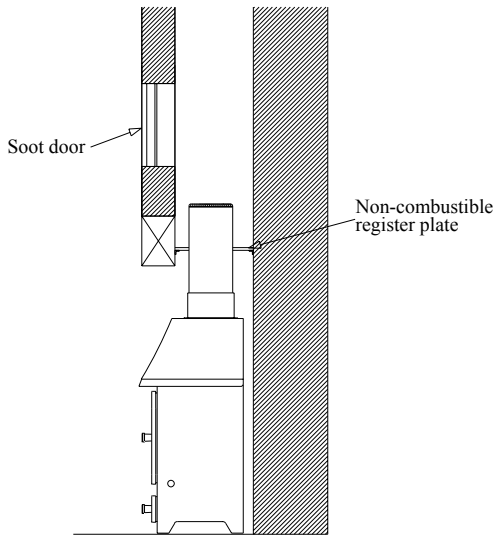
ALL INSTALLATIONS MUST CONFORM TO THE BUILDING REGULATIONS



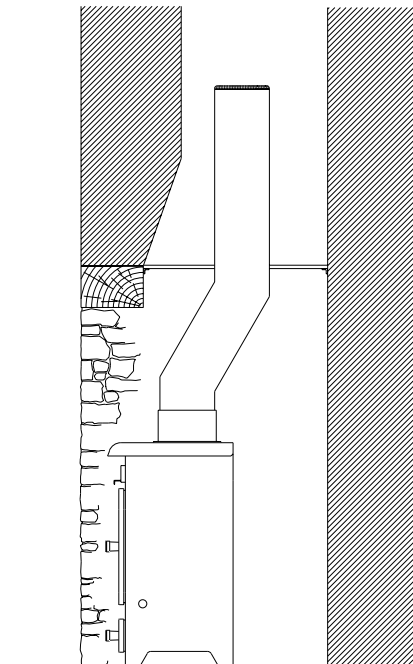
TYPICAL PREFABRICATED INSULATED CHIMNEY SYSTEM



or



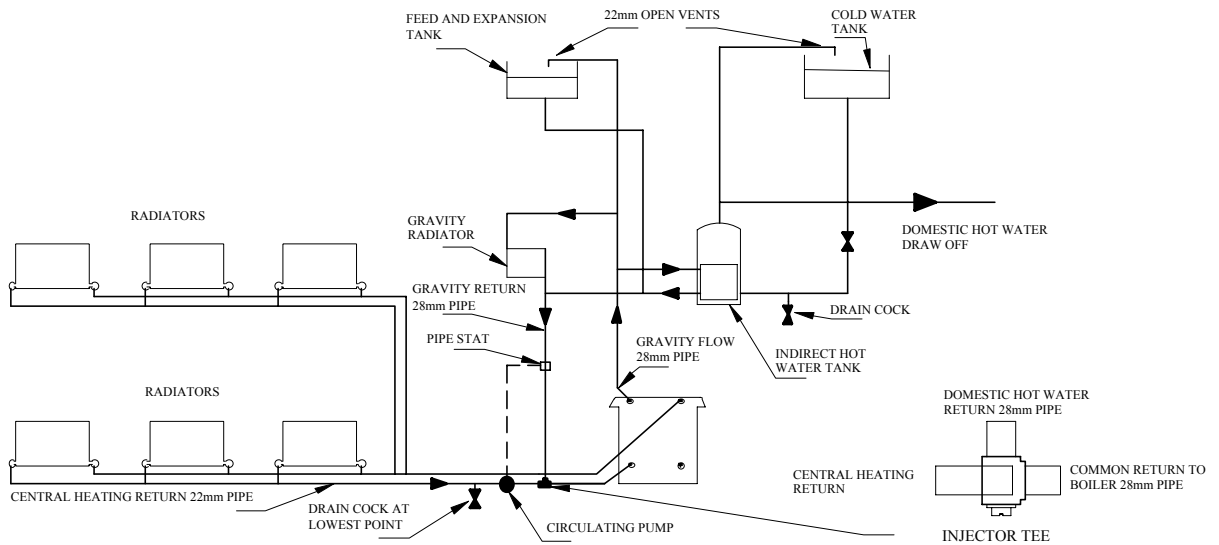
TOP FLUE OUTLET



TOP FLUE OUTLET IN INGLENOOK

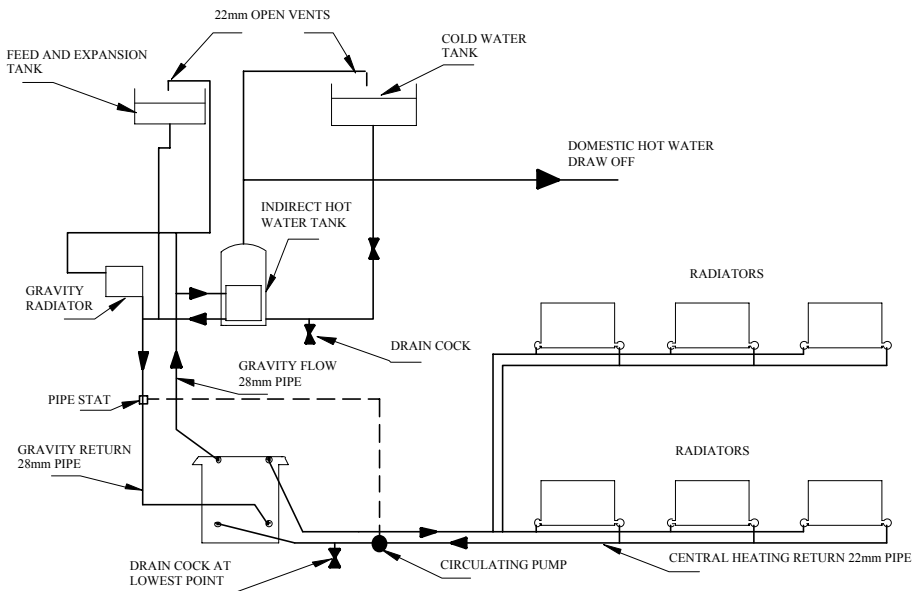
ALL INSTALLATIONS MUST CONFORM TO THE BUILDING REGULATIONS

TYPICAL INSTALLATIONS FOR INTEGRAL BOILER



**Central Heating and Domestic Hot Water,
System Using Three Boiler Tappings.**

TYPICAL INSTALLATIONS FOR INTEGRAL BOILER



**Central Heating and Domestic Hot Water,
System Using Four Boiler Tappings.**

Note: Diagrammatic representation only. Design and calculations for individual systems should always be carried out by a qualified heating engineer.

26. WATER CONNECTIONS

Heating systems

The size of the heating system, which can be run, will depend on the output rating of the appliance. It will be necessary to work out heat loss calculations for the system envisaged in order to establish the kW/hr rating. An appliance that will meet this figure can then be chosen; (for boiler outputs please refer to the brochure).

The constructional requirements of installing and connecting the appliance also need to be taken into account when selecting. Design and calculations for individual heating systems should be carried out by a qualified heating engineer. In many cases your supplier will be able to offer advice and assistance.

Direct systems

Stainless steel boilers, either factory fitted or retro-fitted as add-in boilers enable connection to direct systems to be made without the need to change the cylinder or to fit an expansion tank. This applies to domestic water supply only **and should not be done when in an area with soft water.** If radiators are used then an indirect system must be utilised.

To connect the cylinder use 28mm copper pipes.

Ensure that the pipes rise continuously to the cylinder.

Ensure that the runs are not too long, i.e. 6.1m (20ft) maximum each for flow and return.

Install the cylinder above the level of the fire, and as close to it as possible. (the higher the cylinder the faster the circulation).

Ensure that no valves are present in the circulating pipes.

Indirect systems - The Domestic Hot Water Circuit

In addition to providing hot water the primary circuit is essential in providing a "heat leak" to absorb excessive heat produced in the event of the circulation pump shutting down.

Heat is produced in varying quantities while the fire is alight and care must be taken to ensure that effective circulation can occur around the primary circuit to carry heat away and thus stop boiling. The output of any radiator installed as a "heat leak" should not be less than 10% of the rated output of the appliance. The radiator should **not** be fitted with a control valve.

The cylinder must be of the indirect type with a minimum capacity of 110 litres, conforming to BS 1566 part 1.

Primary flow and return pipes should be 28mm diameter. The cylinder should be installed at a higher level than the appliance, and as close to it as possible (the higher the cylinder the faster the circulation). The flow and return pipes should not be longer than 6.1m (20ft) each. Pipe runs should rise continually from the boiler to the cylinder. A radiator of approximately 25 sq.ft. should be connected into the primary circuit, if installed in the bathroom it provides a means of drying towels in the summer.

Safety vent circuit

This circuit consists of a cold feed pipe, expansion pipe, and expansion tank. The possibility that water may boil can never be completely ruled out, and it is therefore vital to ensure that cold water can be supplied to the boiler and steam vented from it at all times.

The expansion tank should have a capacity of at least 7 % of the system's water capacity.

The cold water feed pipe should be at least 22mm diameter.

There must not be any shut off valves in the circuit.

Pipes should be run to avoid air locks.

A spring safety valve should be fitted to the expansion pipe close to the boiler.

It is often possible, and is good practice, to utilise the primary flow and return as part of the safety circuit.

The ball valve should have a copper ball.

The overflow pipe from the expansion tank should be 28mm diameter copper.

Pipes in unheated spaces must be lagged.

27. FINAL CHECK

Before handing over the installation to the customer it is strongly recommended that the appliance is lit and the functioning of the chimney, hot water and heating system is checked.

A check list (Pre-lighting Checks) appears in the Operating Instructions, but in addition to this the installer should:

- Operate the heating system and set the pump head.
- Balance the radiators.
- Re-vent and ensure no air locks.
- Check the circulation round the primary system and the heat leak radiator, particularly when the pump is running, to ensure circulation is not reversed.
- Be sure that the chimney is operating and that ALL smoke and fumes are vented to the atmosphere through the chimney terminal.
- Check all joints and seals.
- Clean the outside of the appliance to prevent any stains becoming burnt on.
- Check the flue draught which should read 1 - 2mm, or 0.1 - 0.2mbar.

The following details **must** be checked and completed by the installer at the time of the installation. Please answer all questions as fully as possible.

Arada Ltd cannot be held responsible for chimney or installation.

GENERAL		HOT WATER SYSTEMS	
1. Date visited site.	/ /	12. Is the boiler cross-flowed?	YES / NO
2. Fuel type being used.		13. Are the pipes correctly sized?	YES / NO
3. Fuel Quality (GOOD/FAIR/BAD)		14. What is the calculated output required to heat the system?	
4. What is the draught reading?		15. Is a heat leak fitted ?	YES / NO
5. Is the throat plate fitted?	YES / NO	16. What is the return water temperature?	
6. What is the height of the flue?		17. Is the pump thermostatically controlled by a pipe stat?	YES / NO
7. What size is the flue?		18. What is the height and distance of hot water tank above stove?	
8. Is the flue lined?	YES / NO	INSETS	
9. Does the flue terminate above the ridge?	YES / NO	19. Is there insulation around the top of the fire and is it sealed in correctly (in accordance with the installation instructions)?	
10. Did the installer light the fire, check doors and adjust if necessary?	YES / NO		
11. Did the installer explain the correct operation of the appliance?	YES / NO		

Please ensure that the customer understands the workings of the appliance and the associated systems.

Emphasise the danger of fumes from coal burning equipment and the necessity of regular and frequent sweeping and cleaning of the chimney and the inside of the appliance.

Ensure that they have this copy of the Operating & Installation instructions.

Factory Final Check List

*I've checked
it
and it's O.K.*

QUALITY	
FINISH	
PARTS	
FLUE OUTLET	
HOT PLATE	
FUEL RETAINERS	
GRATE	
FIREBOX LININGS	
THROAT PLATE	
AIR WASH	
THERMOSTAT	
DOOR CATCHES	
INTERLOCK	
ASH PAN	
OPERATING TOOL	
OPERATING INSTRUCTIONS	

Serial Number

Assembled by.....

Checked by

28. GUARANTEE

Once again we would like to thank you very much for buying a Stratford fire.

When you buy a **Stratford stove**, you are not only buying a first class appliance - you are buying a commitment from us to look after you and your appliance for as long as you want.

Your **Stratford Stove** carries a decreasing guarantee against manufacturing defects for a period of **three** years from date of purchase. The three years guarantee applies to the main body of the fire, i.e. the steel carcass and items fixed immovably thereto.

The external paint finish, Add-in stainless steel boilers and Thermostat carry a one year guarantee.

Arada Ltd., cannot guarantee items which are susceptible to breakage or damage through careless handling, dropping, etc., or through misuse of the appliance by over firing, burning petroleum coke, etc. Nor can the guarantee extend to deterioration of parts through fair wear and tear. Firebox linings, grate bars, fuel retainer bars, baffle, gasketing materials and door glass are therefore not covered by the guarantee.

The guarantee is conditional upon the appliance being serviced and checked annually by a qualified heating engineer, with documentation to be retained and to be produced in the event of a claim being made.

Parts will be repaired or replaced at the discretion of **Arada Ltd.** The price of replacement shall be shared by the manufacturer and purchaser as follows:

During the first year of purchase the manufacturer will pay 100% of the cost of parts only.

During the second year the manufacturer will pay two-thirds of the cost and the purchaser one third.

During the third year the manufacturer will pay one third of the cost and the purchaser two-thirds.

USE OF SPARE PARTS OTHER THAN THOSE SUPPLIED BY ARADA LTD WILL INVALIDATE THE APPPLIANCE GUARANTEE.

If you think your fire is not working correctly or in the event of a breakdown, please contact your local Arada dealer or call our Technical Support Department on 0844 847 5107.

When you contact us, we will want to know:

- 1. Your Name, Address/Post Code and Telephone Number
- 2. Specify Fire Model and Serial Number
- 3. Clear and concise details of the fault

In the event of claims against guarantee, please supply proof of purchase and fire serial number to Arada Ltd., The Fireworks, Bridport, Dorset DT6 3BE.

Please complete the following for your own records

Date of purchase Equipment Purchased - Model Serial No

Name and address of Supplier

Name and address of Purchaser

Name and address of Installer

Flaming Good Fires!

Arada Ltd,
The Fireworks,
Bridport,
Dorset
DT6 3BE
Great Britain.

Tel 01308 427234

Fax 01308 423441

email :info@arada.uk.com

www.arada.uk.com